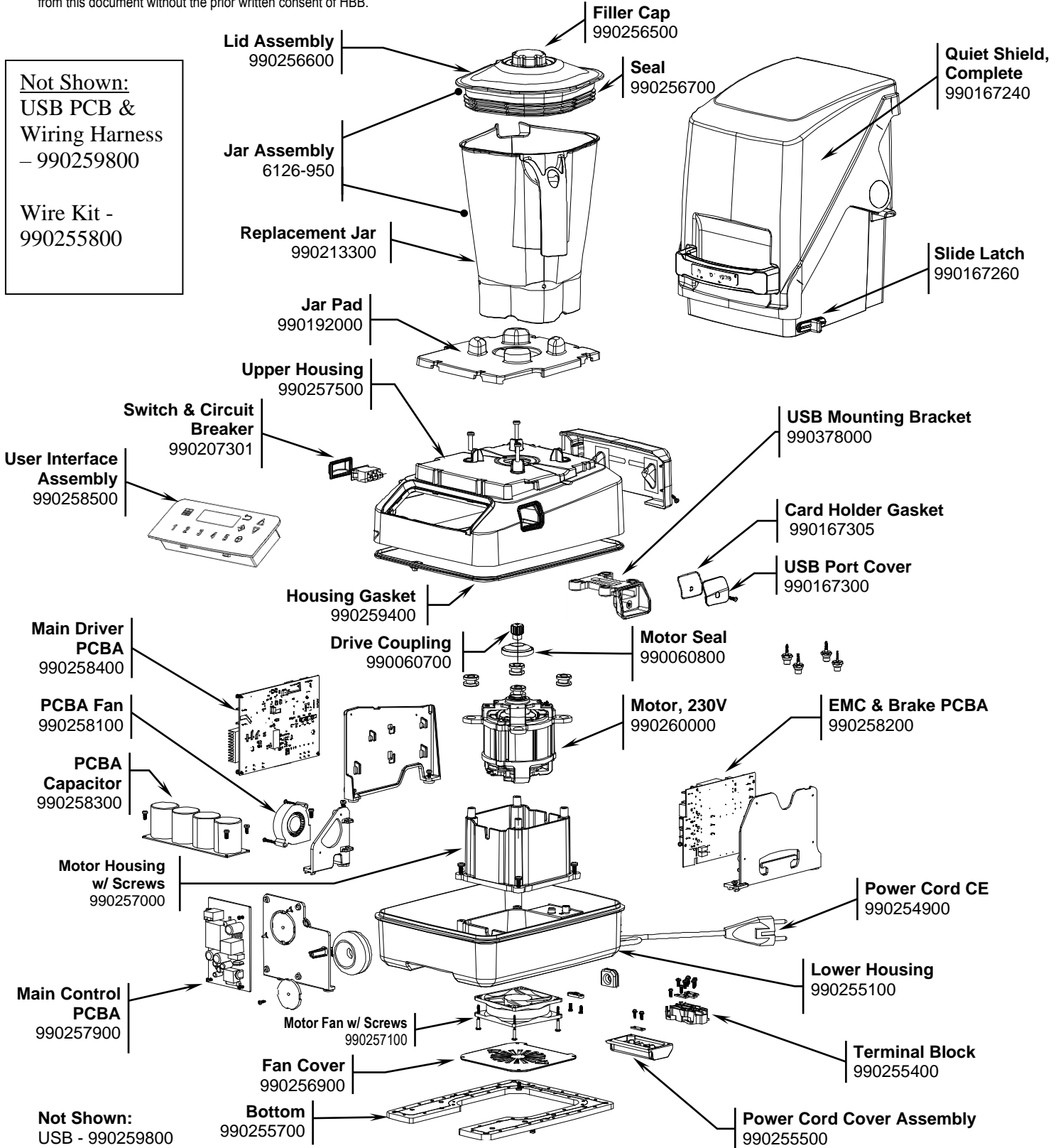


Parts and Accessories Diagram HBH950-CE

PROPRIETARY RIGHTS NOTICE This document and all information contained within it is the property of Hamilton Beach Brands, Inc. (HBB). It is confidential and proprietary and has been provided to you for a limited purpose. It must be returned or destroyed upon request. Disclosure, reproduction or use of this document and any information contained within it, in full or in part, for any purpose is forbidden without the prior written consent of HBB. No photographs may be taken of any article fabricated or assembled from this document without the prior written consent of HBB.



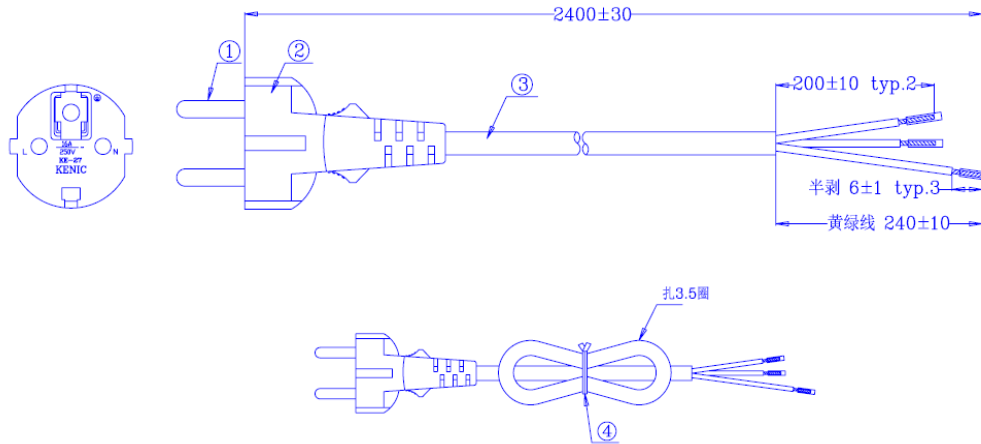
<p>Hamilton Beach 4421 Waterfront Drive Glen Allen, VA 23060</p>	Revision Description:	Correct description of 990259800, Add 990060700, Correct 990060800 call-out				
	Request Number:	DOC10309	Revision Date:	01/29/2021	Approved by:	DOC10309
	Issue Code(s):		Page:	1 of 3	Document #:	540096001
					Rev:	E

Parts and Accessories Diagram

HBH950-CE

PROPRIETARY RIGHTS NOTICE This document and all information contained within it is the property of Hamilton Beach Brands, Inc. (HBB). It is confidential and proprietary and has been provided to you for a limited purpose. It must be returned or destroyed upon request. Disclosure, reproduction or use of this document and any information contained within it, in full or in part, for any purpose is forbidden without the prior written consent of HBB. No photographs may be taken of any article fabricated or assembled from this document without the prior written consent of HBB.

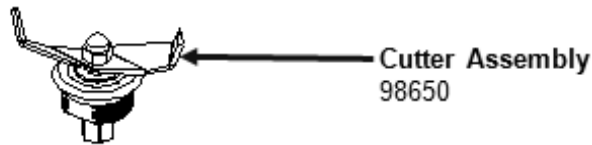
Replacement Parts




Power Cord

990167370

For Reference Only: End terminations may vary

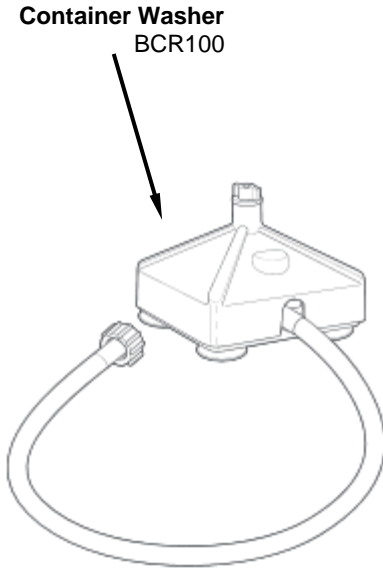



 4421 Waterfront Drive Glen Allen, VA 23060	Revision Description:	Correct description of 990259800, Add 990060700, Correct 990060800 call-out					
	Request Number:	DOC10309	Revision Date:	01/29/2021	Approved by:	DOC10309	
	Issue Code(s):		Page:	2 of 3	Document #:	540096001	Rev:

Accessories
HBH950

PROPRIETARY RIGHTS NOTICE This document and all information contained within it is the property of Hamilton Beach Brands, Inc. (HBB). It is confidential and proprietary and has been provided to you for a limited purpose. It must be returned or destroyed upon request. Disclosure, reproduction or use of this document and any information contained within it, in full or in part, for any purpose is forbidden without the prior written consent of HBB. No photographs may be taken of any article fabricated or assembled from this document without the prior written consent of HBB.

Not Shown:
Wire Kit - 990255800



 4421 Waterfront Drive Glen Allen, VA 23060	Revision Description:		Correct description of 990259800, Add 990060700, Correct 990060800 call-out					
	Request Number:	DOC10309	Revision Date:	01/29/2021	Approved by:	DOC10309		
	Issue Code(s):		Page:	3 of 3	Document #:	540096001	Rev:	E